

Other Products



SB

Washing Mashine Stand with Anti- Vibration

■ Features;

- Excellent maximum load weight up to 500kg.
- 4 notches on top not to store water.
- Made of solid polypropylene (PP).
- Including anti-vibration sheet made of elastmer.

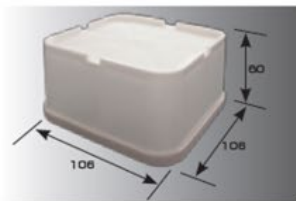
<<Main Unit>>



<<Anti-Vibration Sheet>>



Packaging



■ Anti-Vibration Rising Stand

Code	Model	Size (mm)			Color	Package Qty
		Width	Length	Height		
70774	SB-160	106	106	60	White	4pcs x 5

PT

Flame Retardant Sealing Putty



■ Features;

- Effective in preventing fire spread
- Excellent workability, smooth texture and less stickness to hand.
- Excellent non-drying and adhesiveness



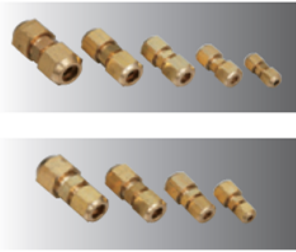
200g

1kg

Code	Model	Weight	Package	Color	Qty
70261	PT-200	200 g	Vinyl	Gray	100
70262				Ivory	
70277				White	
70278	PT-1K	1 kg	Vinyl	Ivory	20
70267	PTC-5K	5 kg	Canned	Ivory	1

FUN Flair Union incl. Flare Nut

Compatible with New Refrigeration Class 2



Code	Model	Adaptive Pipe Size (mm)	Q'ty
70691	FUN-2	6.35	10
70692	FUN-3	9.52	10
70693	FUN-4	12.70	10
70694	FUN-5	15.88	10
70695	FUN-6	19.05	10
70701	FUN-2 x 3	6.35 x 9.52	10
70702	FUN-3 x 4	9.52 x 12.70	10
70703	FUN-4 x 5	12.70 x 15.88	10
70704	FUN-5 x 6	15.88 x 19.05	10

FN Flare Nut

Compatible with New Refrigeration Class 2



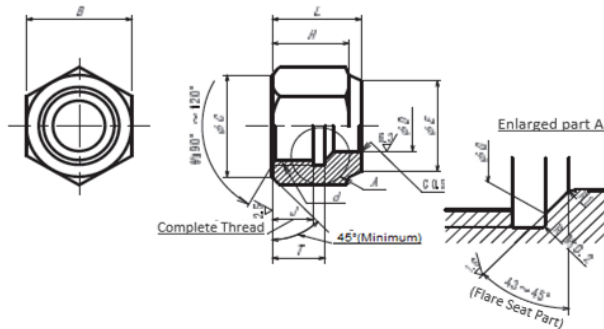
Code	Model	Adaptive Pipe Size (mm)	Q'ty
70151	FN-2	6.35	30
70152	FN-3	9.52	30
70153	FN-4	12.70	20
70154	FN-5	15.88	20
70155	FN-6	19.05	10

FU Flare Union



Code	Model	Adaptive Pipe Size (mm)	Q'ty
70681	FU-2	6.35	10
70682	FU-3	9.52	10
70683	FU-4	12.70	10
70684	FU-5	15.88	10
70685	FU-6	19.05	10

* Flare Union is compatible with Class 1 and 2.



Measurements of Flare Nut compatible with New Refrigerant Class 2

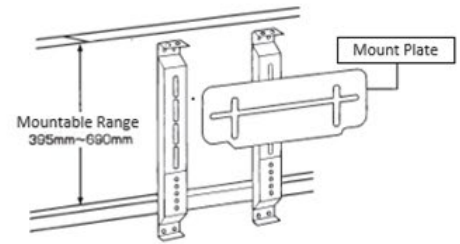
Name	Adaptive Pipe		Screw Name (1) d	Size (mm)								
	Outer Diameter (mm)			B ₀ ^{-0.6}	D ₀ ^{+0.1}	E (Min.)	H ± 0.8	J	L ± 0.8	T	G	C (Approx.)
1/4"	6.35		7/16-20UNF	17	6.5	13	12	6.3	15	9.0	9.7	16.5
3/8"	9.52		5/8-18UNF	22	9.7	20	16	7.8	18	10.8	14.3	21.0
1/2"	12.70		3/4-16UNF	26	12.9	23	19	10.0	22	13.0	17.3	26.0
5/8"	15.88		7/8-14UNF	29	16.0	25	22	12.5	26	15.5	20.2	28.0
3/4"	19.05		1.1/16-14UNS	36	19.2	28	24	16.0	30	19.0	25.0	34.0

Flare Nut Tightening Torque

Tighten the flare nut within following specified torque value

Name	1/4"	3/8"	1/2"	5/8"	3/4"
Torque (N·m)	16 ± 2	38 ± 4	55 ± 6	75 ± 7	110 ± 10

TSR Vertical Stud for Air Conditioner Indoor Unit



Vertical Stud

Code	Model	Color	Mountable Size (mm)	Q'ty
70287	TSR-420	Ivory	395 to 690	20

SM Ground Bar



Ground Bar Incl. Green IV 1.6mm x 2.6m Ground Wire

Code	Model	Material	Size(mm)	Q'ty
70281	SM-30	Copper Coating Steel Plate (S type)	300	100
70282	SM-50	Copper Coating Steel Plate (S type)	500	50

PCKL Extention Cord



VCT-FK 2.0mm² x 2C 15A L type Plug

Code	Model	Size (m)	Color	Q'ty
83011	PCKL-1	1	Ivory	80
83012	PCKL-2	2	Ivory	80
83013	PCKL-3	3	Ivory	60
83015	PCKL-5	5	Ivory	40

KG Floor Scratch Prevention Mat for Refrigerator



■ Features;

- Transparent surface fits any floor
- High weather resistance avoids deform and discolor.
- Made of high impact polycarbonate which protects the floor from scratched and dents located on refrigerator. Also, this material is suitable to use on floor heating.
- Safe and secure design with rounded corners.
- Multi-sizes available. The biggest KG-3L will fit with 700 liter class refrigerator.
- Protective films on both side for safty delivery.

Code	Model	Size (mm)			Q'ty
		Depth	Width	Thickness	
70634	KG-S	600	500	2.0	10
70635	KG-M	700	650	2.0	10
70636	KG-L	750	700	2.0	10
70637	KG-2L	760	740	2.0	5
70638	KG-3L	890	750	2.0	5

